



A respected leader in wastewater treatment with more than 25 years of technical design and manufacturing experience.

Delta is committed to the continuing development of new products to lead us into the 21st century.

***Other Delta Products***



***Sold only through  
local factory-trained distributors***

**POD SERIES** Advanced Wastewater Treatment Systems and accessories are sold, installed and serviced by certified Delta distributors who are fully trained to provide all necessary components and to ensure professional installation.

***Delta Environmental Products***

P.O. Box 969  
8275 Florida Blvd. • Denham Springs, LA 70727  
225-665-6162  
[www.deltaenvironmental.com](http://www.deltaenvironmental.com)

**1 (800) 219-9183**

Distributed by:



**E C O P O D**





by Delta Environmental Products

The **ECOPOD**® Advanced Wastewater Treatment System, simple in design, requires minimal maintenance, is easy to install and highly effective in reducing the levels of Nitrogen, BOD and TSS. With over five years in development and testing, the **POD SERIES**™ efficiently treats all three contaminants: TN/BOD/TSS. The Delta **POD SERIES** — *The Future of Onsite Wastewater* — Available Today.

## ECOPOD

ADVANCED WASTEWATER TREATMENT

The **ECOPOD** Fixed Film Series is a continuation of Delta Environmental Products' tradition of combining simplicity and technological excellence to create innovation!

**ECOPOD** Series is an Advanced, Fixed-Film Wastewater Treatment Device from 500 to 1,500 GPD. Tested under NSF Standard 40 and exceeds (Class I) requirements for effluent quality.

**ECOPOD** significantly reduces nutrients in the wastewater as well as BOD & TSS. Nitrification and de-nitrification in a single tank.

**ECOPOD** series is an Intra-Tank Bioreactor that can be inserted into average-sized on-site wastewater treatment tank or vault (round or rectangular).

**ECOPOD** series utilizes a Fixed Film process which is characteristically stable, reliable and sturdy. Fixed Film is a preferred treatment process in many areas for on-site wastewater treatment systems.

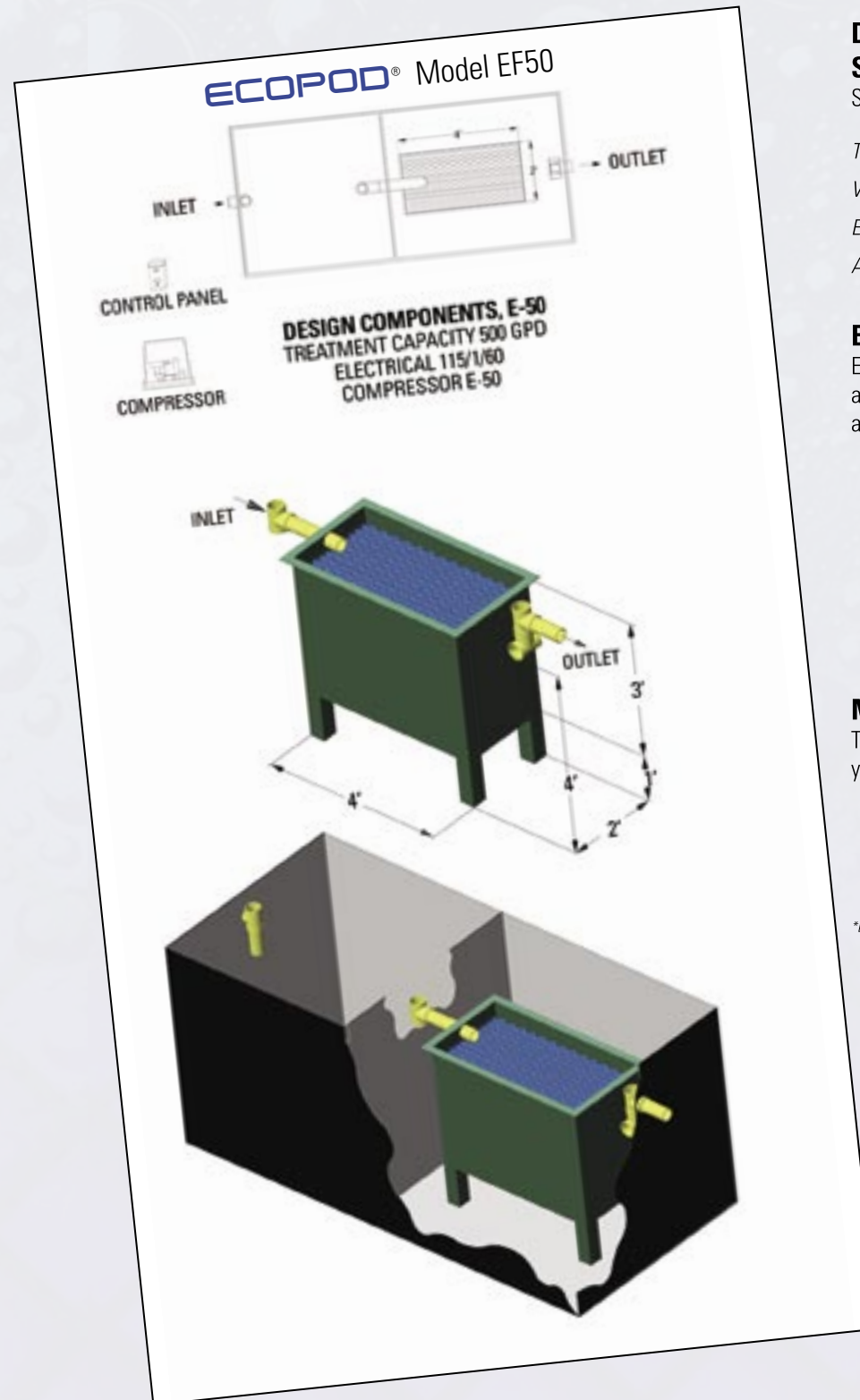
Ideally suited for individual residential installations, cluster designs, and small-to-medium commercial applications.

## Why Use

### ECOPOD

ADVANCED WASTEWATER TREATMENT?

- Extremely efficient removal
- ANSI/NSF International Standard 40 Class 1 Certified
- Quiet, efficient and effective
- FHA and VA acceptable
- Simply designed and self-contained
- Simple to operate
- Simple to maintain
- Minimum sludge production reduces pump out costs
- No mixed liquor suspended solids eliminate washouts
- Longer intervals between pump outs
- Quiet operation — external aerator
- Suitable for intermittent usage
- Odorless
- Out-of-sight installation
- Remote monitoring system available
- 2/5/10-year limited warranty



## Design Components Material Specifications

Shown is the ECOPOD Model EF50

Treatment Capacity . . . . . 500 GPD

Volumetric Capacity . . . . . 500/700 Gallons

Electrical Requirement . . . . . 115/1/60

Aerator Compressor . . . . . EF50

## ECOPOD For Specific Uses

ECOPOD Units are manufactured to specifications according to wastewater flow requirements. Units are available in the following sizes:

- Model EF50 treating 500 gallons per day
- Model EF60 treating 600 gallons per day
- Model EF75 treating 750 gallons per day
- Model EF100 treating 1000 gallons per day
- Model EF150 treating 1500 gallons per day

## Manufactured According To Need

Two choices of fabrication are offered, consistent with your preference or regulatory requirements:

- Fiberglass Construction
- Concrete Construction\*
- Round or Rectangular

\*Based on regional availability



NSF's certification Program is accredited by the American National Standards Institute



Certified to ANSI/NSF Standard 40 Class I